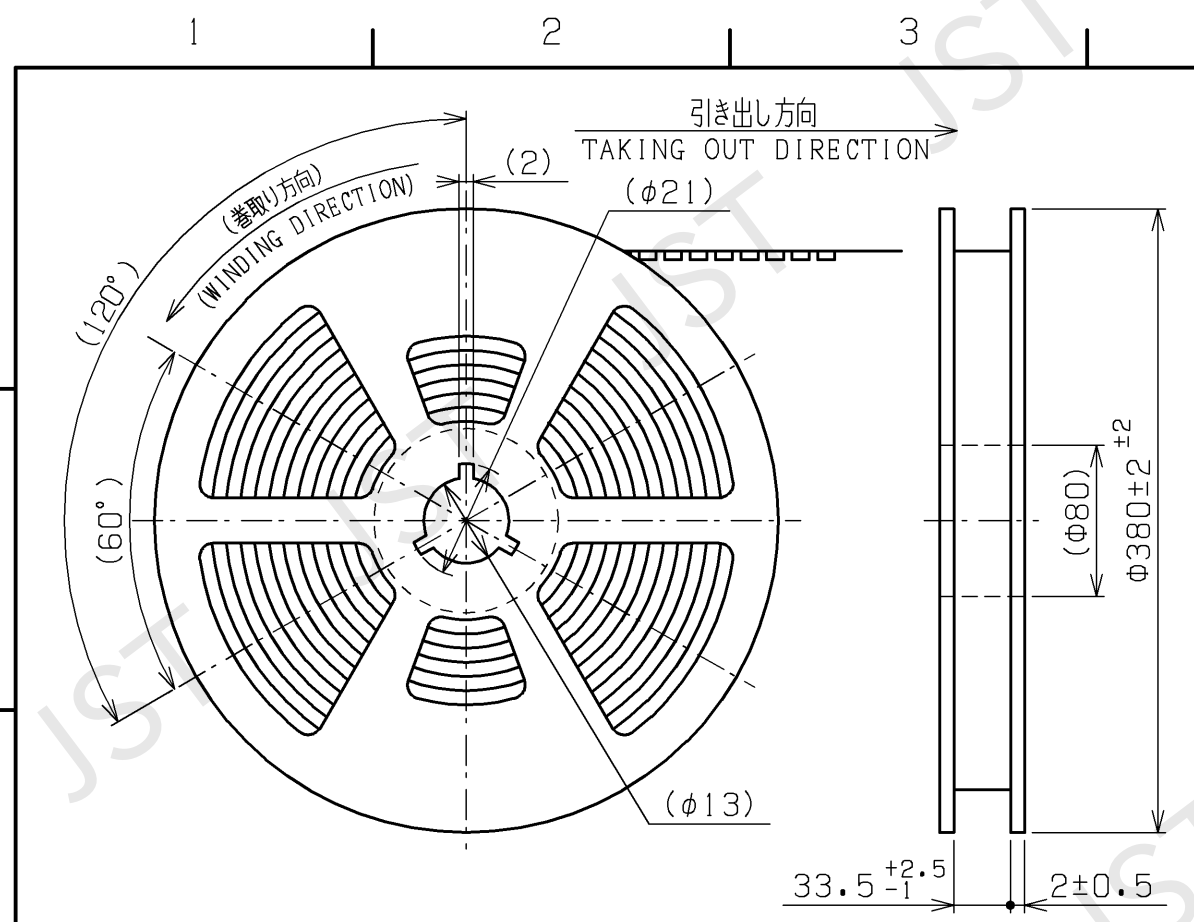
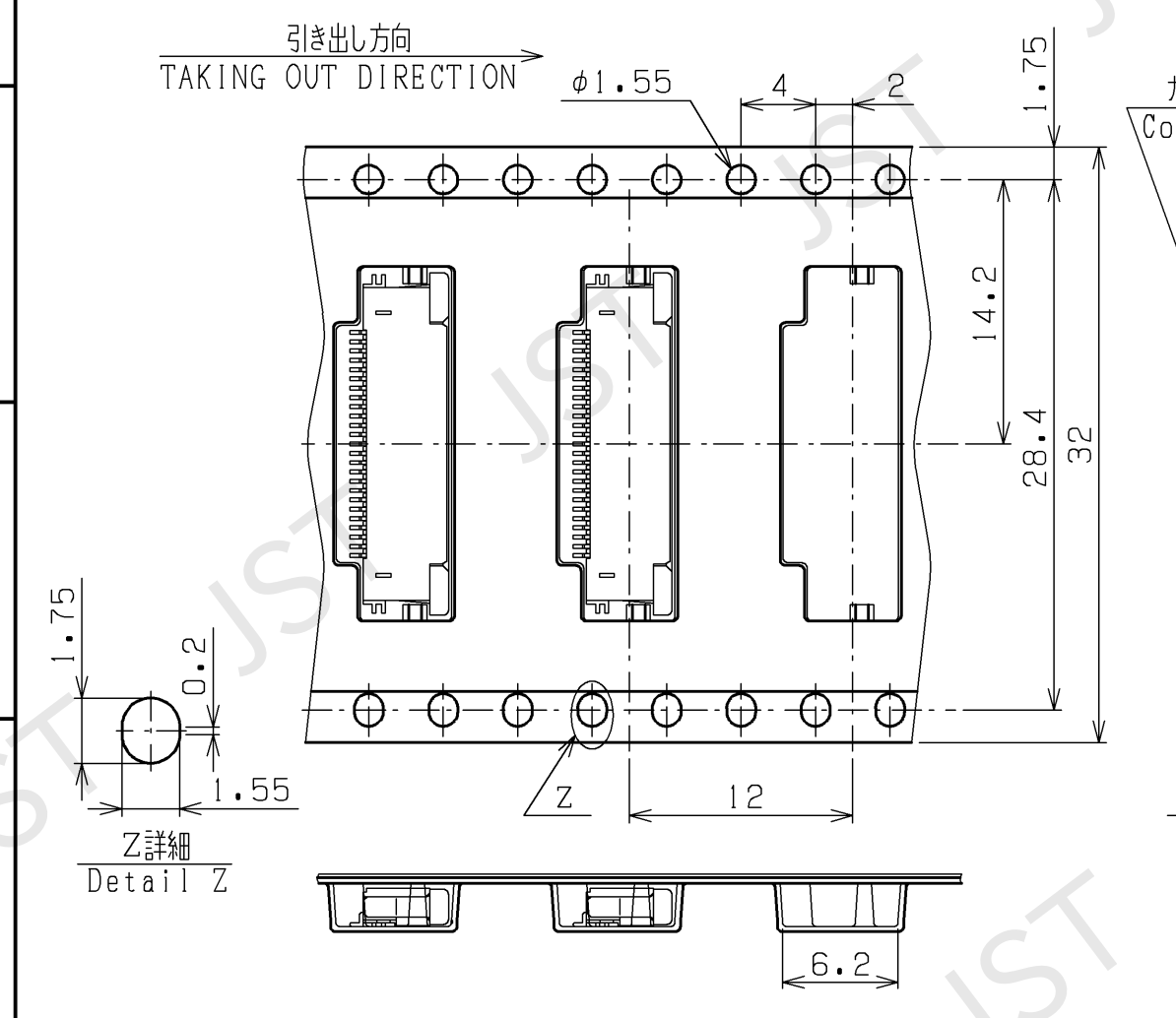


THIS DRAWING CONTAINS INFORMATION THAT IS PROPRIETARY TO J.S.T. AND SHALL NOT BE USED OR ADAPTED, COPIED, OR PUBLISHED WITHOUT WRITTEN PERMISSION. IN THE EVENT THAT THERE ARISE ANY DOUBTS OR CONTROVERSIES BETWEEN JAPANESE AND ENGLISH EXPRESSION, THE JAPANESE TEXT SHALL PREVAIL.



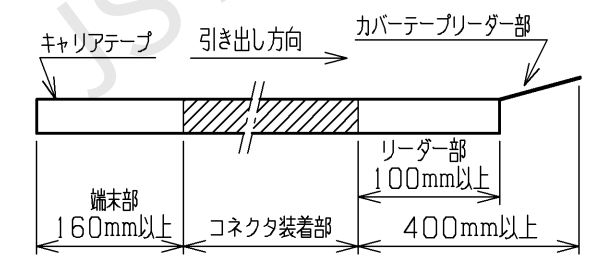
| 極数<br>Circuits | 寸法/Dimensions<br>A |
|----------------|--------------------|
| 25             | 19.05              |
| 26             | 19.55              |
| 27             | 20.05              |
| 28             | 20.55              |
| 30             | 21.55              |



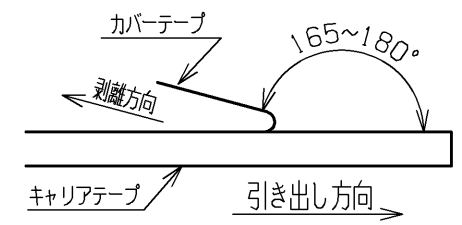
| 改訂<br>REV. | 変更事項<br>DESCRIPTIONS | 年月日<br>DATE | 0 |
|------------|----------------------|-------------|---|
| △          |                      |             |   |

NOTE

1. コネクタ本体については、単体の別図面を参照ください。
2. 梱包数量：2800個/リール。
3. リードテープ長さ



4. カバーテープの剥離強度：0.1~1.3N (剥離速度300mm/分)

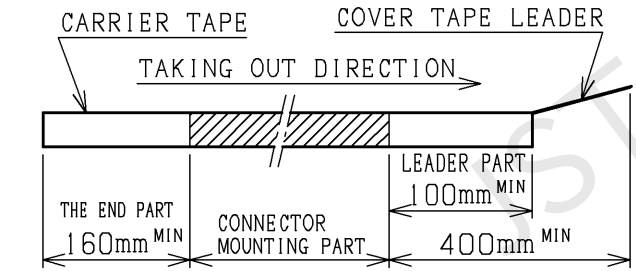


5. 材料：キャリアテープ：ポリエステル (PET) またはポリスチレン (PS)  
 カバーテープ：ポリエステル (PET)  
 リール：フランジ部-ポリスチレン (PS)  
 コア部-ポリプロピレン (PP) またはポリスチレン (PS)

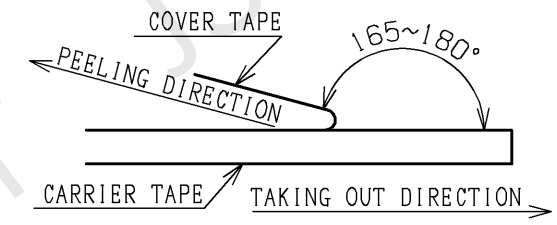
6. 一般公差：±0.3
7. 形番：  
 ノーマルタイプ；( ) FLZ-SM2-TB (LF) (SN)  
 リバースタイプ；( ) FLZ-RSM2-TB (LF) (SN)

NOTE

1. Connector part: See the DWG. of header for FLZ connector.
2. Quantity to be packaged: 2800 pcs/reel
3. Leading tape length.



4. Cover tape peel strength: 0.1~1.3N (Peel speed: 300mm/minute)



5. Material: Carrier tape; Polyester (PET) or Polystyrene (PS)  
 Cover tape ; Polyester (PET)  
 Reel; Flange ; Polystyrene (PS)  
 Core ; Polypropylene (PP) or Polystyrene (PS)

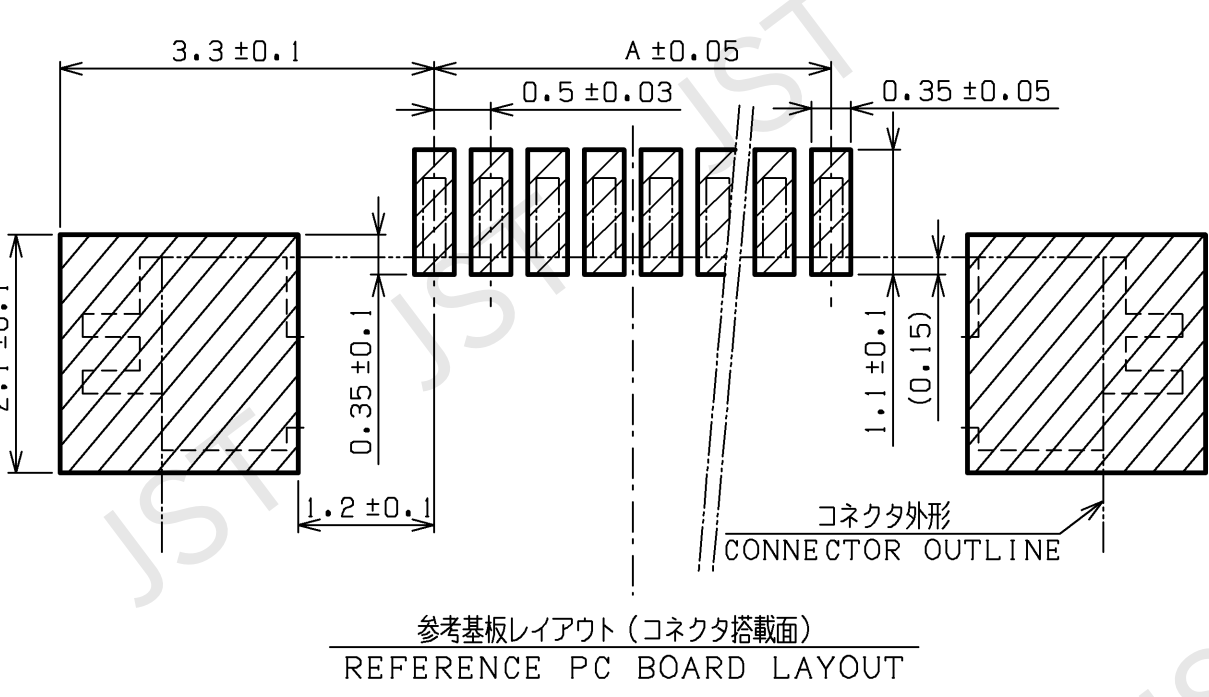
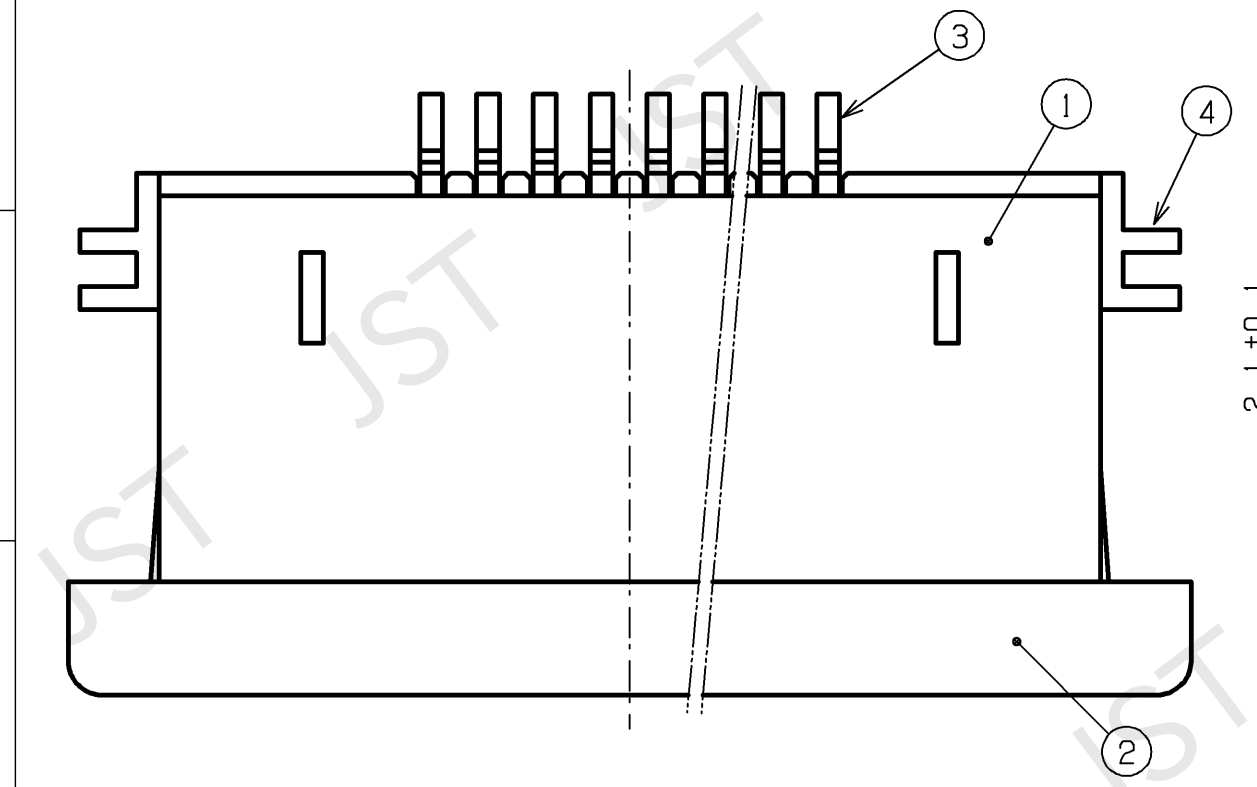
6. Unless otherwise specified, tolerances are ±0.3.
7. Part No. :  
 Normal type; ( ) FLZ-SM2-TB (LF) (SN)  
 Reverse type; ( ) FLZ-RSM2-TB (LF) (SN)

| 品番<br>No.         | 部品名<br>PART NAME | 材質<br>MATERIAL    | 処理<br>SURFACE FINISH   | 備考<br>REMARKS                |
|-------------------|------------------|-------------------|--|------------------------------|
| 1                 |                  |                   |  |                              |
| サイズ<br>SIZE       | 単位<br>UNIT       | 投影法<br>PROJECTION | 作図年月日<br>DATE  | 納入先<br>CUSTOMER              |
| A3                | METRIC           | ⊕                 | MAR.08.2024  | 殿                            |
| 尺度<br>SCALE       |                  |                   | 品名<br>SERIES NAME  | 品名<br>PART No.               |
| FREE              |                  |                   | FLZコネクタ エンボスターピング品<br>FLZ CONNECTOR ENBOSSSED-TAPING PRODUCT | ( ) FLZ-( ) SM2-TB (LF) (SN) |
| 図番<br>DRAWING No. |                  |                   |  | 図番<br>DRAWING No.            |
| KRD-31162-4       |                  |                   |  | RO                           |

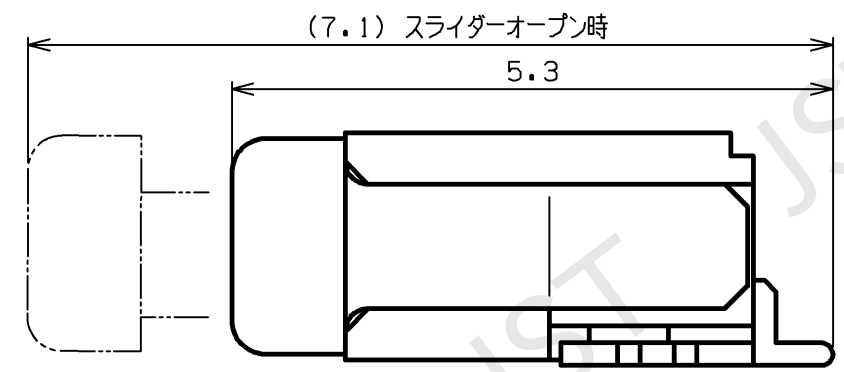
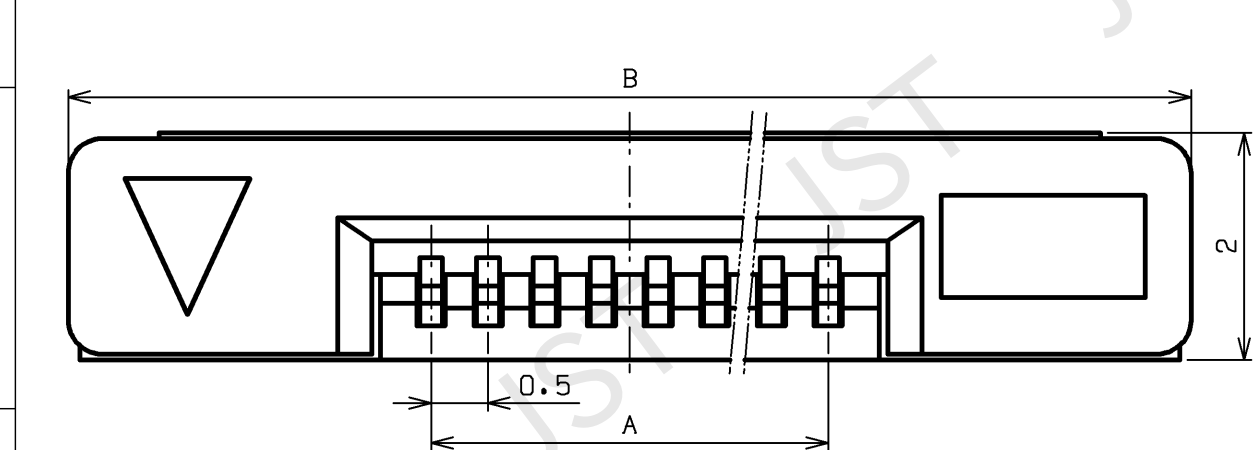
**JST** 日本圧着端子製造株式会社  
J.S.T. MFG. CO., LTD.

THIS DRAWING CONTAINS INFORMATION THAT IS PROPRIETARY TO J.S.T. AND SHALL NOT BE USED OR ADAPTED, COPIED, OR PUBLISHED WITHOUT WRITTEN PERMISSION. IN THE EVENT THAT THERE ARISE ANY DOUBTS OR CONTROVERSIES BETWEEN JAPANESE AND ENGLISH EXPRESSION, THE JAPANESE TEXT SHALL PREVAIL.

|            |                      |             |   |
|------------|----------------------|-------------|---|
| 改訂<br>REV. | 変更事項<br>DESCRIPTIONS | 年月日<br>DATE | 0 |
| △          |                      |             |   |



| 極数<br>Circuits | 寸法<br>Dimensions |      |
|----------------|------------------|------|
|                | A                | B    |
| 6              | 2.5              | 8.9  |
| 7              | 3.0              | 9.4  |
| 8              | 3.5              | 9.9  |
| 9              | 4.0              | 10.4 |
| 10             | 4.5              | 10.9 |
| 11             | 5.0              | 11.4 |
| 12             | 5.5              | 11.9 |
| 13             | 6.0              | 12.4 |
| 14             | 6.5              | 12.9 |
| 15             | 7.0              | 13.4 |
| 16             | 7.5              | 13.9 |
| 18             | 8.5              | 14.9 |
| 19             | 9.0              | 15.4 |
| 20             | 9.5              | 15.9 |
| 21             | 10.0             | 16.4 |
| 22             | 10.5             | 16.9 |
| 23             | 11.0             | 17.4 |
| 24             | 11.5             | 17.9 |
| 25             | 12.0             | 18.4 |
| 26             | 12.5             | 18.9 |
| 27             | 13.0             | 19.4 |
| 28             | 13.5             | 19.9 |
| 30             | 14.5             | 20.9 |



NOTE

- 1) 一般公差: ±0.3
- 2) 使用するFPCとコネクタの適合性確認を必ず実施の上、ご使用下さい。  
適合FPC図面: KRD-55368

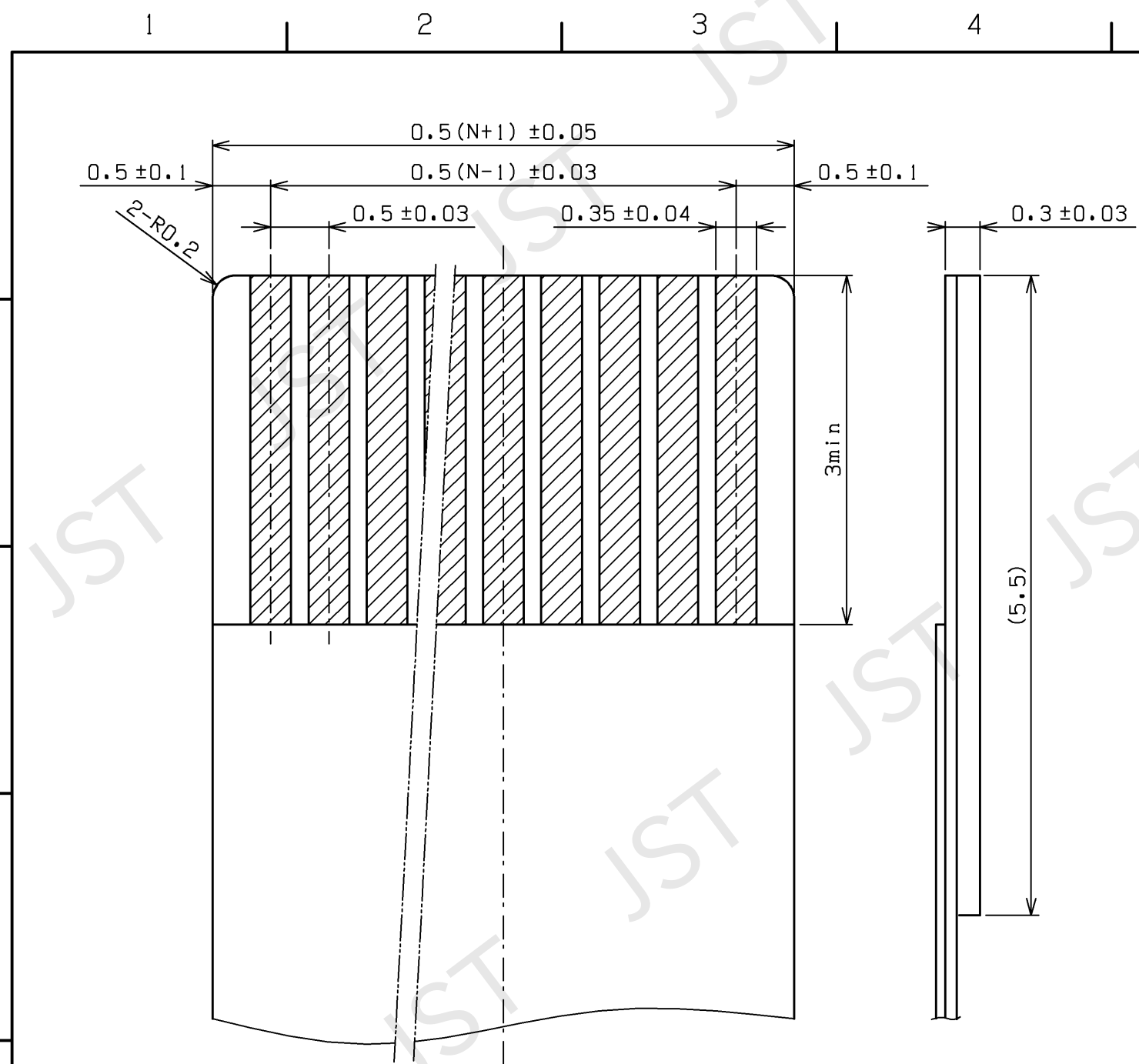
NOTE

- 1) Unless otherwise specified, tolerances are ±0.3.
- 2) Confirm an applicability of the connector with FPC to be used before use.  
Drawing for an applicable FPC: KRD-55368

| 4           | 補強タブ<br>REINFORCEMENT | 銅合金<br>COPPER ALLOY              | すずめっき<br>TIN PLATED  |   |
|-------------|-----------------------|----------------------------------|----------------------|---|
| 3           | コンタクト<br>CONTACT      | 銅合金<br>COPPER ALLOY              | すずめっき<br>TIN PLATED  |   |
| 2           | スライダー<br>SLIDER       | PA (耐熱性)<br>PA (HEAT RESISTANCE) |                      | UL94V-0 黒色<br>BLACK                           |
| 1           | ハウジング<br>HOUSING      | PA (耐熱性)<br>PA (HEAT RESISTANCE) |                      | UL94V-0 ナチュラル<br>NATURAL                      |
| 品番<br>No.   | 部品名<br>PART NAME      | 材質<br>MATERIAL                   | 処理<br>SURFACE FINISH | 備考<br>REMARKS                                 |
| サイズ<br>SIZE | 単位<br>UNIT            | 投影法<br>PROJECTION                | 作図年月日<br>DATE        | 納入先<br>CUSTOMER                               |
| A3          | METRIC                |                                  | MAR.07.2024          |   |
|             |                       |                                  | 尺度<br>SCALE          | 品名<br>SERIES NAME                             |
|             |                       |                                  | 15:1                 | FLZコネクタ リバースタイプ<br>FLZ CONNECTOR REVERSE TYPE |
|             |                       |                                  |                      | 形番<br>PART No.                                |
|             |                       |                                  |                      | ( ) FLZ-RSM2 (LF) (SN)                        |
|             |                       |                                  |                      | 図番<br>DRAWING No.                             |
|             |                       |                                  |                      | KRD-31538-3 R0                                |

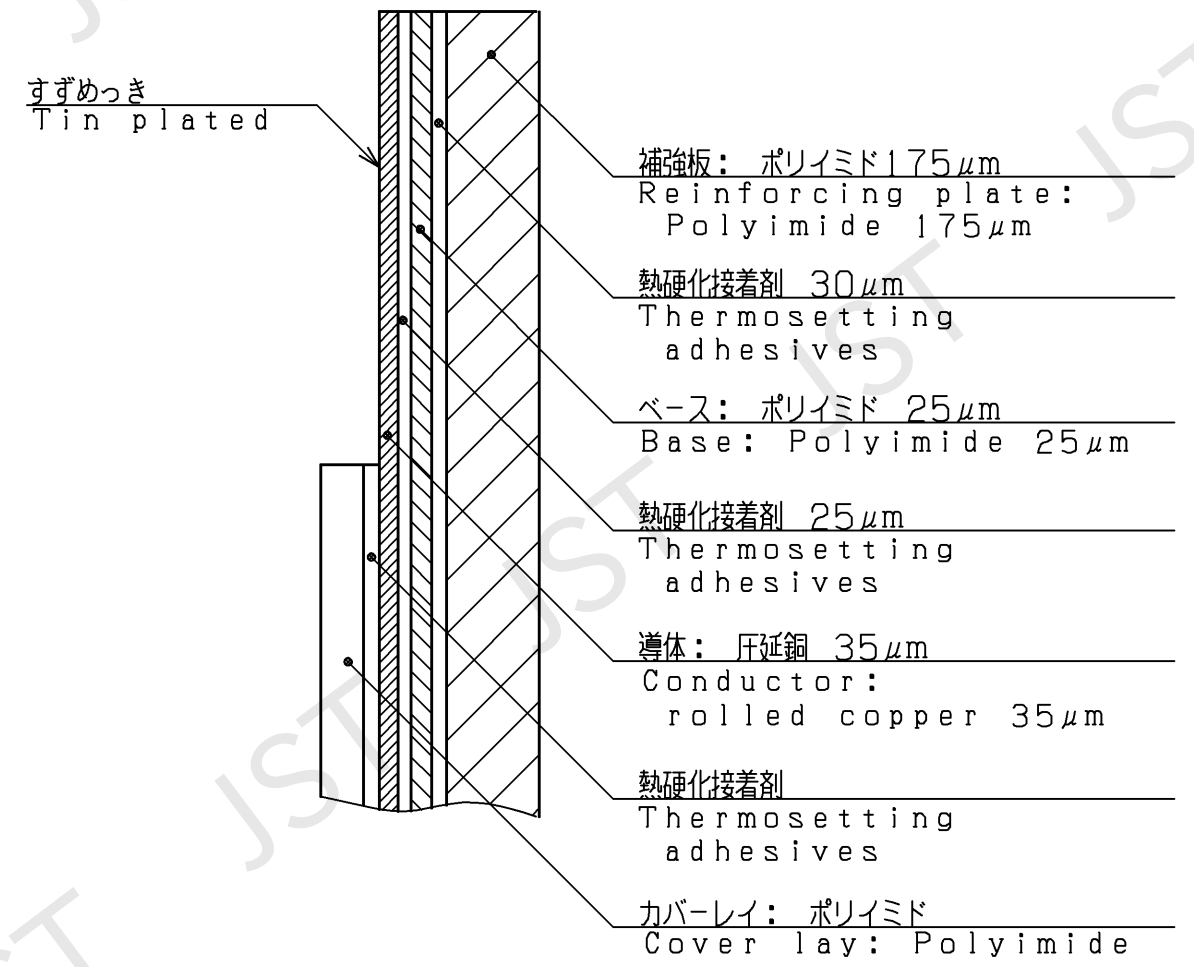
**JST** 日本圧着端子製造株式会社  
J.S.T. MFG. CO., LTD.

THIS DRAWING CONTAINS INFORMATION THAT IS PROPRIETARY TO J.S.T. AND SHALL NOT BE USED OR ADAPTED, COPIED, OR PUBLISHED WITHOUT WRITTEN PERMISSION. IN THE EVENT THAT THERE ARISE ANY DOUBTS OR CONTROVERSIES BETWEEN JAPANESE AND ENGLISH EXPRESSION, THE JAPANESE TEXT SHALL PREVAIL.



|            |                      |             |   |
|------------|----------------------|-------------|---|
| 改訂<br>REV. | 変更事項<br>DESCRIPTIONS | 年月日<br>DATE | 0 |
| △          |                      |             |   |

FPC部材構成<参考>  
FPC construction <Reference>  
(NOTE5)



**NOTE**  
 1) Nは極数を示す。  
 2) めっき:すずめっき  
 3) FPC適合性確認のこと  
 4) 打ち抜き方向は、導体側から補強板側とする。  
 5) FPC部材構成は参考例です。  
 嵌合部厚は、本部材構成を参考に  
 0.30±0.03mmにて製作願います。  
 部材構成の詳細はFPCメーカーにお問合せください。

**NOTE**  
 1) N: Number of circuit.  
 2) Plating: Tin plated  
 3) Confirm an applicability of FPC with connector.  
 4) Blanking shall be conducted in the direction from conductor side to reinforcing plate side.  
 5) This is a reference FPC construction. Make the thickness of the FPC mated portion 0.30±0.03mm in reference to the FPC construction. Contact FPC maker for details on component construction.

|  |                  |                   |                      |                   |
|--|------------------|-------------------|----------------------|-------------------|
| 品番<br>No.                                      | 部品名<br>PART NAME | 材質<br>MATERIAL    | 処理<br>SURFACE FINISH | 備考<br>REMARKS     |
| サイズ<br>SIZE                                    | 単位<br>UNIT       | 投影法<br>PROJECTION | 作図年月日<br>DATE        | 納入先<br>CUSTOMER   |
| A3   | METRIC           |                   | MAR.8.2024           | 品名<br>SERIES NAME |
| <b>JST</b> 日本圧着端子製造株式会社<br>J.S.T. MFG.CO.,LTD. |                  |                   |                      | 品名<br>SERIES NAME |
|  |                  |                   |                      | 形番<br>PART No.    |
| 図番<br>DRAWING No.                              |                  |                   |                      | KRD-55368         |
|  |                  |                   |                      | RO                |