

THIS DRAWING CONTAINS INFORMATION THAT IS PROPRIETARY TO J.S.T. AND SHALL NOT BE USED OR ADAPTED, COPIED, OR PUBLISHED WITHOUT WRITTEN PERMISSION.

1 2 3 4 5 6 7 8 9 10 11 12

REV.	DESCRIPTION	DATE	
△			0

A
B
C
D
E
F
G
H

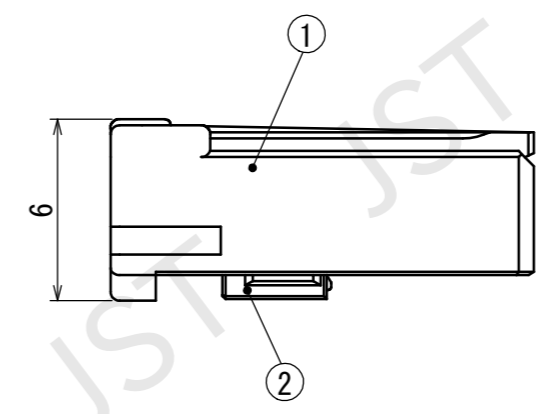
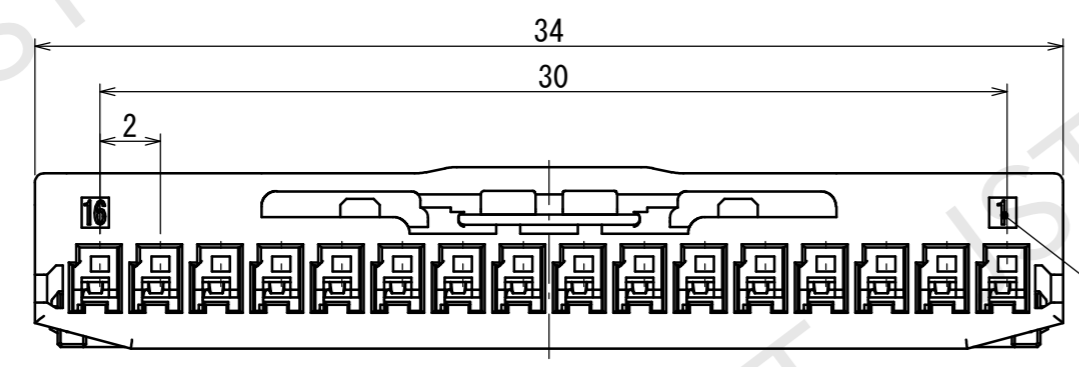
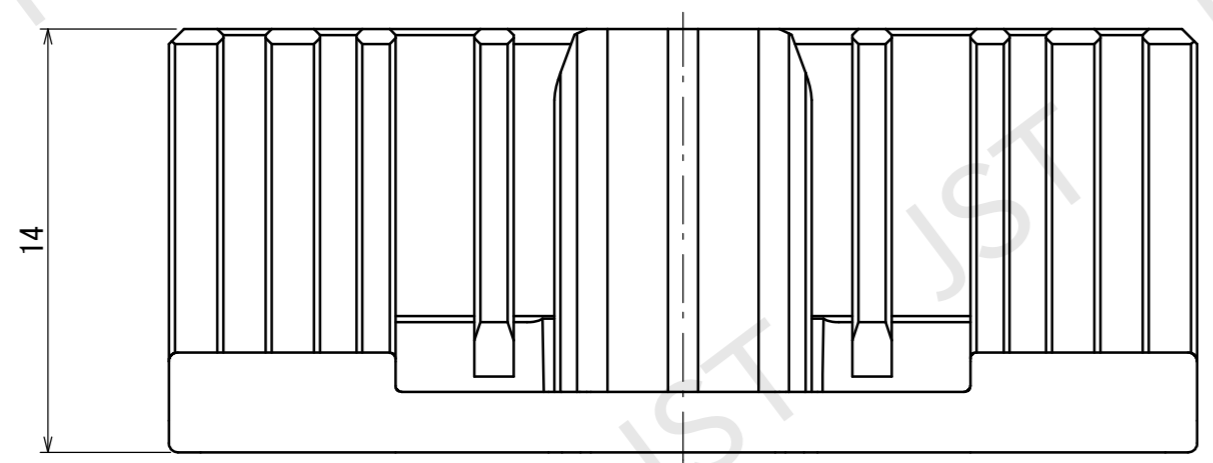


TABLE 1: KEY CODE CONFIGURATION

KEY CODE OPTIONS / PART NO.		
KEY CODE	A	B
PART NO.	16CMEC-B-1A-K-A	16CMEC-B-1A-K-B
COLOR	BLACK	BLACK
VIEW		

NOTE
1. GENERAL TOLERANCE: ±0.3

2	TPA	PBT (GF)	BLUE (UL94 V-0)
1	FEMALE HOUSING	PBT	BLACK (UL94 V-0)
No.	PART NAME	MATERIAL	SURFACE FINISH
SIZE	UNIT	SCALE	PROJECTION
A2	METRIC	5:1	Mar 27, 2024
CUSTOMER			
SERIES NAME	CMEC 16P FEMALE CONNECTOR		
PART No.	16CMEC-B-1A-K-()		
DRAWING No.	KRD-55365		RO

JST J. S. T. MFG. CO., LTD.