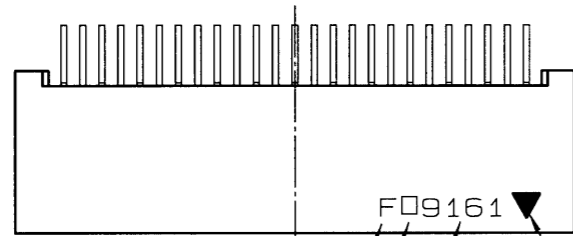
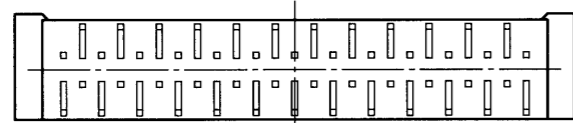
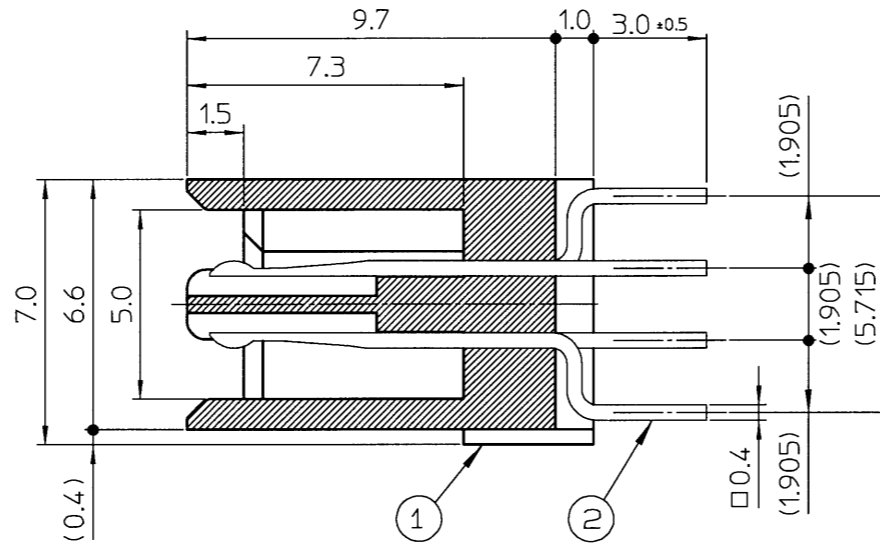


| D     | C     | B     | A     | No. of contacts<br>極数 |
|-------|-------|-------|-------|-----------------------|
| 11.43 | 13.13 | 15.83 | 17.83 | 20                    |
| 15.24 | 16.94 | 19.64 | 21.64 | 26                    |
| 17.78 | 19.48 | 22.18 | 24.18 | 30                    |
| 19.05 | 20.75 | 23.45 | 25.45 | 32                    |
| 20.32 | 22.02 | 24.72 | 26.72 | 34                    |
| 24.13 | 25.83 | 28.53 | 30.53 | 40                    |
| 30.48 | 32.18 | 34.88 | 36.88 | 50                    |
| 31.75 | 33.45 | 36.15 | 38.15 | 52                    |
| 36.83 | 38.53 | 41.23 | 43.23 | 60                    |
| 41.91 | 43.61 | 46.31 | 48.31 | 68                    |
| 49.53 | 51.23 | 53.93 | 55.93 | 80                    |
| 62.23 | 63.93 | 66.63 | 68.63 | 100                   |

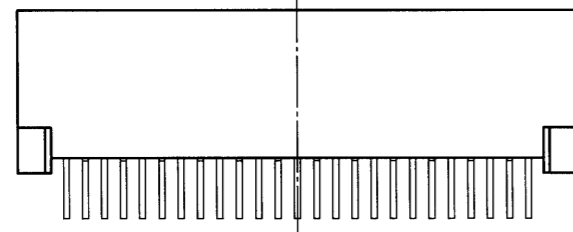
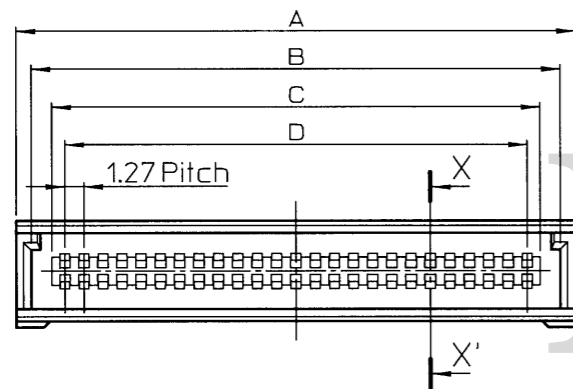


SEE NOTE3  
SEE NOTE2 (Contact area/接触部)  
Lot number/ロットNo.  
Polarization mark/極性表示

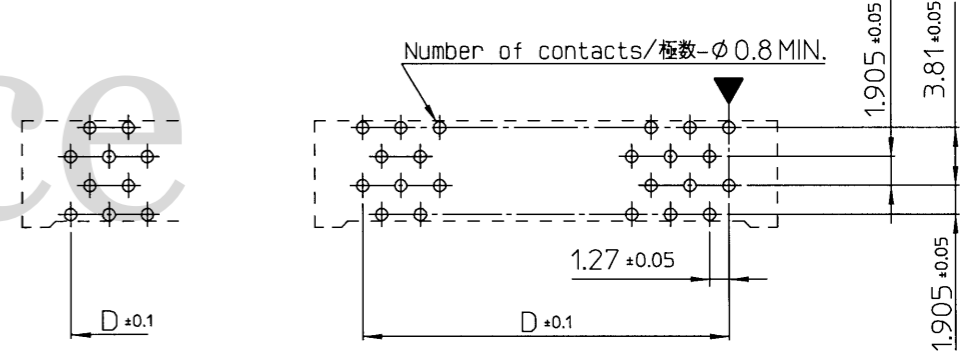


X-X' Cross-section (Scale 5:1)

- NOTES
- 1) Unless otherwise specified, tolerance shall be: / 指定なき寸法公差  
 Less than 10 / 0~10未満 ±0.2  
 10 ~ 50 / 10~50未満 ±0.25  
 50 or more / 50以上 ±0.3
  - 2) Contact finish./ コンタクトの仕上げ  
 Under plating Nickel / ニッケルメッキ下地  
 Contact area : Gold / 接触部 : 金メッキ仕上げ  
 NONE : Au 0.05μm or more  
 D : Au 0.25μm or more  
 H : Au 0.76μm or more  
 Terminal area : Tin-copper plating/ テール部: 錫銅メッキ仕上げ
  - 3) F:RoHS Compliant / RoHS対応品
  - 4) This drawing is based on 50 pin contacts. / 本図は、50極で記載したものである。
  - 5) A reference drawing of P.W.B./ 参考基板設計要領  
 Board thickness / 適合基板厚 t=1.6<sup>+0.2</sup>/<sub>-0.1</sub>



( Connector mounting side / コネクタ搭載面 )



20·32·40·52·60·68·80·100 Pin      26·30·34·50 Pin

| No. | Component<br>部品名     | Quantity<br>数量        | Material<br>材質   | Finish<br>仕上 |
|-----|----------------------|-----------------------|--|--------------|
| 2   | Contact<br>コンタクト     | No. of contacts<br>極数 | Copper alloy<br>銅合金                                      | SEE NOTE2    |
| 1   | Insulator<br>インシュレータ | 1                     | Nylon 66 Glass-filled, UL94V-0<br>66ナイロン・ガラス繊維入り UL94V-0 | Black<br>黒色  |

|                        |                           |                     |                        |   |
|------------------------|---------------------------|---------------------|------------------------|---|
| △ x                    |                           |                     |                        |   |
| △ x                    |                           |                     |                        |   |
| △ x                    |                           |                     |                        |   |
| Oct. 16, 2020          | N. Saito                  | T. Hiramatsu        | E. Ichikawa            | Revised for style change. / 様式変更のため、改版。 |
| REV. DATE              | APPROVED BY               | CHECKED BY          | DRAWN BY               | DESCRIPTION                             |
| THIRD ANGLE PROJECTION | DRAWN BY<br>Y. Abe        | DATE<br>Sep.13,2018 | CHECKED BY<br>N. Saito | DATE<br>Sep.13,2018                     |
| MATERIAL               | TITLE<br>8812-□□□-170SQ-F |                     |                        | APPROVED BY<br>M. Suzuki                |
| FINISH                 | KEL CORPORATION           |                     |                        | DATE<br>Sep.13,2018                     |
|                        | DRAWING No.<br>P3D772     |                     |                        | SCALE<br>2:1                            |
|                        | REVISION<br>2             |                     |                        | UNIT<br>mm                              |