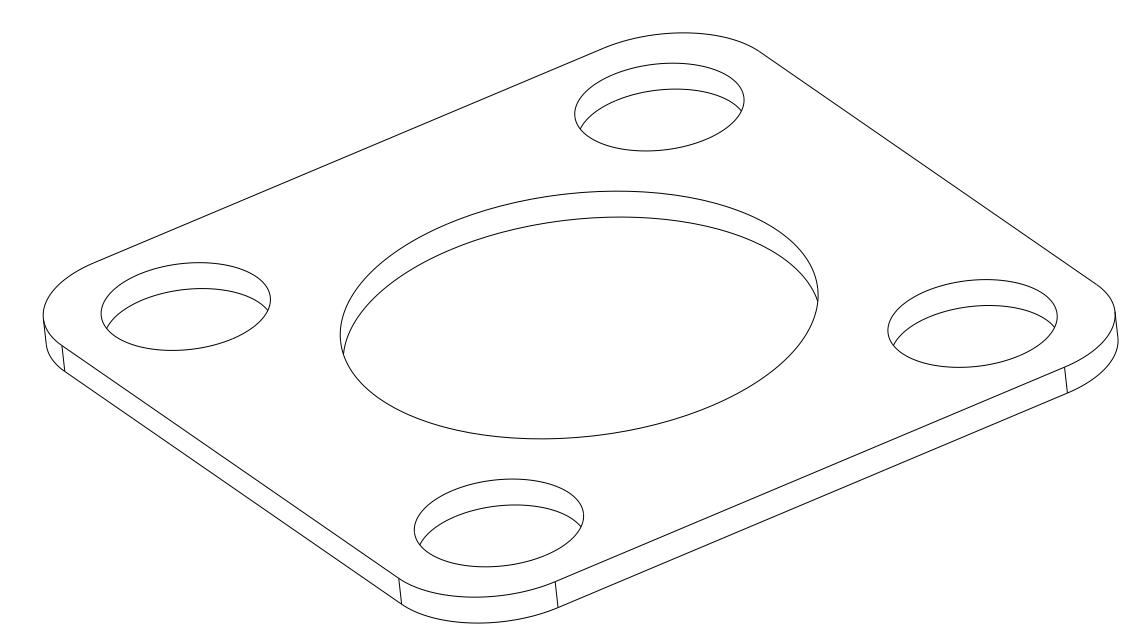
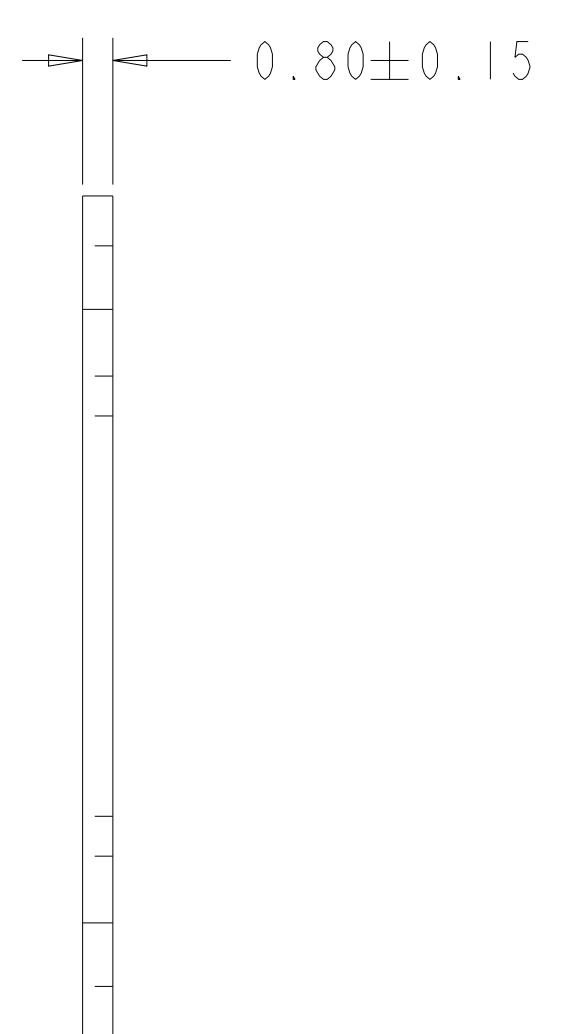
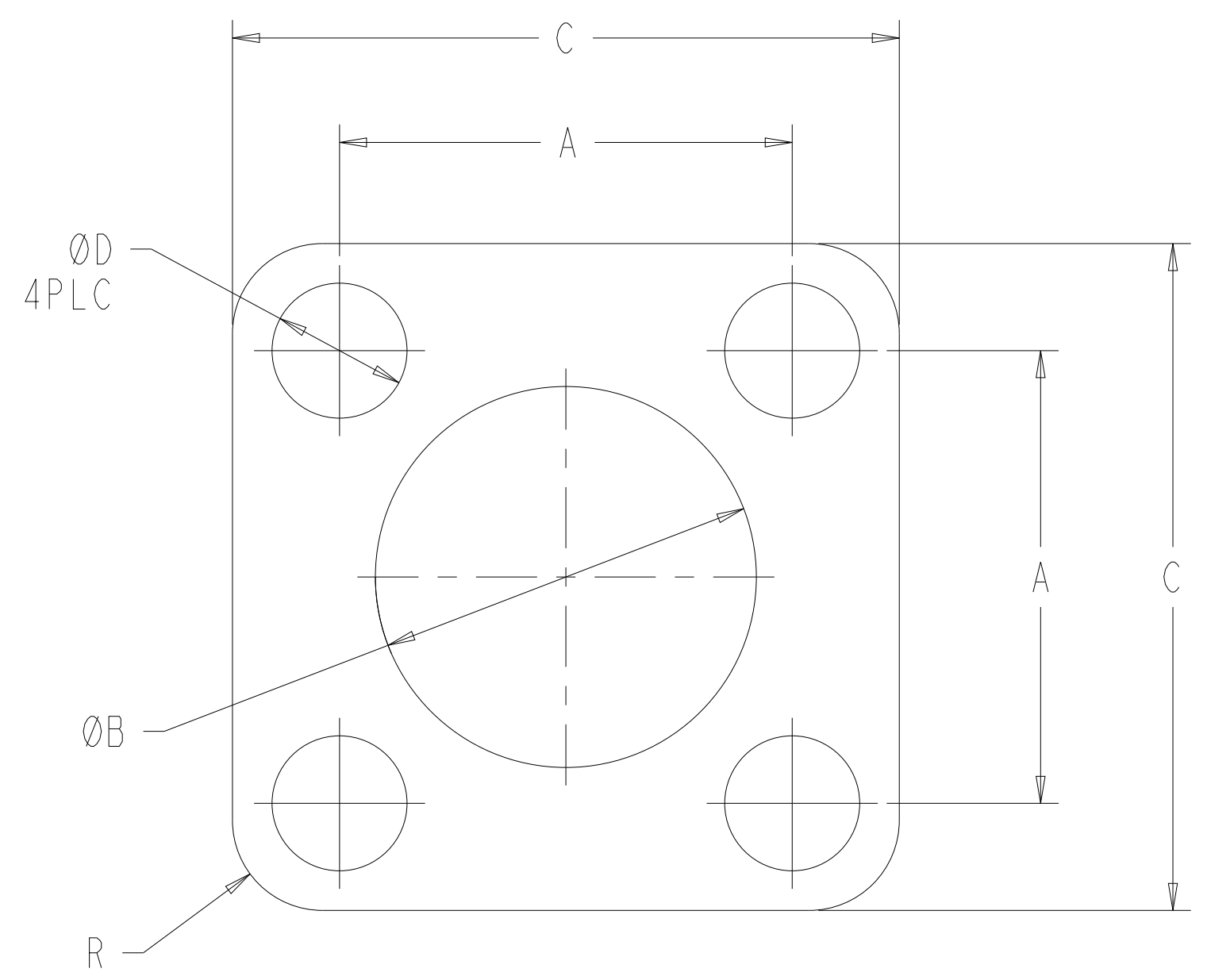


REVISIONS				
P	LTN	DESCRIPTION	DATE	APVD
A		NEW DRAWING	23MAY2024	AN JM

MATERIAL SPECIFIC DATA TABLE

TEST SPECIFICATION / MATERIAL CODE	SILICONE NICKEL ALUMINIUM (SNA)	FLUOROSILICONE NICKEL ALUMINIUM (FNA)
RECOMMENDED OPERATING TEMPERATURE RANGE (°C)	-55 to 125	-55 to 125
SPECIFIC GRAVITY ± 13%	2.000	2.300
SHORE A HARDNESS ± 7	70	70
MAXIMUM VOLUME RESISTIVITY (Ω.CM)	0.100	0.100



ISOMETRIC VIEW (NTS)

FNA	48	DARK GREEN	66.68	76.99	82.55	6.00	4.50	92-24030-1	2488591-1	92-24030-10	2488561-1
FNA	44	DARK GREEN	60.33	70.64	76.20	6.00	4.50	92-24029-1	2488590-1	92-24029-10	2488560-1
FNA	40	DARK GREEN	55.58	61.93	69.85	6.00	4.50	92-24028-1	2488589-1	92-24028-10	2488559-1
FNA	36	DARK GREEN	49.23	55.58	63.50	6.00	4.50	92-24027-1	2488588-1	92-24027-10	2488558-1
FNA	32	DARK GREEN	44.45	50.80	57.15	6.00	4.50	92-24026-1	2488587-1	92-24026-10	2488557-1
FNA	28	DARK GREEN	39.67	44.45	50.80	5.50	4.50	92-24025-1	2488586-1	92-24025-10	2488556-1
FNA	24	DARK GREEN	34.93	38.10	44.45	5.50	4.50	92-24024-1	2488585-1	92-24024-10	2488555-1
FNA	22	DARK GREEN	31.75	34.93	41.28	5.00	4.50	92-24023-1	2488584-1	92-24023-10	2488554-1
FNA	20	DARK GREEN	29.36	31.75	38.10	5.00	4.50	92-24022-1	2488583-1	92-24022-10	2488553-1
FNA	18	DARK GREEN	26.97	28.58	34.93	5.00	4.50	92-24021-1	2488582-1	92-24021-10	2488552-1
FNA	16	DARK GREEN	24.61	25.40	32.54	4.50	5.50	92-24020-1	2488581-1	92-24020-10	2488550-1
FNA	14	DARK GREEN	23.01	22.23	30.18	4.50	5.00	92-24019-1	2488580-1	92-24019-10	2488549-1
FNA	12	DARK GREEN	20.65	19.05	27.79	4.50	4.00	92-24018-1	2488579-1	92-24018-10	2488548-1
FNA	10	DARK GREEN	18.26	15.88	25.40	4.50	3.00	92-24017-1	2488578-1	92-24017-10	2488547-1
FNA	8	DARK GREEN	15.09	12.70	22.23	4.50	3.00	92-24016-1	2488577-1	92-24016-10	2488546-1
SNA	48	DARK GREY	66.68	76.99	82.55	6.00	4.50	92-24015-1	2488576-1	92-24015-10	2488545-1
SNA	44	DARK GREY	60.33	70.64	76.20	6.00	4.50	92-24014-1	2488575-1	92-24014-10	2488544-1
SNA	40	DARK GREY	55.58	61.93	69.85	6.00	4.50	92-24013-1	2488574-1	92-24013-10	2488543-1
SNA	36	DARK GREY	49.23	55.58	63.50	6.00	4.50	92-24012-1	2488573-1	92-24012-10	2488542-1
SNA	32	DARK GREY	44.45	50.80	57.15	6.00	4.50	92-24011-1	2488572-1	92-24011-10	2488541-1
SNA	28	DARK GREY	39.67	44.45	50.80	5.50	4.50	92-24010-1	2488571-1	92-24010-10	2488540-1
SNA	24	DARK GREY	34.93	38.10	44.45	5.50	4.50	92-24009-1	2488570-1	92-24009-10	2488539-1
SNA	22	DARK GREY	31.75	34.93	41.28	5.00	4.50	92-24008-1	2488569-1	92-24008-10	2488538-1
SNA	20	DARK GREY	29.36	31.75	38.10	5.00	4.50	92-24007-1	2488568-1	92-24007-10	2488537-1
SNA	18	DARK GREY	26.97	28.58	34.93	5.00	4.50	92-24006-1	2488567-1	92-24006-10	2488536-1
SNA	16	DARK GREY	24.61	25.40	32.54	4.50	5.50	92-24005-1	2488566-1	92-24005-10	2488535-1
SNA	14	DARK GREY	23.01	22.23	30.18	4.50	5.00	92-24004-1	2488565-1	92-24004-10	2488534-1
SNA	12	DARK GREY	20.65	19.05	27.79	4.50	4.00	92-24003-1	2488564-1	92-24003-10	2488533-1
SNA	10	DARK GREY	18.26	15.88	25.40	4.50	3.00	92-24002-1	2488563-1	92-24002-10	2488532-1
SNA	8	DARK GREY	15.09	12.70	22.23	4.50	3.00	92-24001-1	2488562-1	92-24001-10	2488531-1
MATERIAL	SHELL SIZE	COLOUR	A±0.4	ØB±0.2	C±0.5	ØD±0.2	R±0.5	IPK QTY	IPK QTY	IPK QTY	IPK QTY
								ALIAS PART NUMBER	ALIAS PART NUMBER	ALIAS PART NUMBER	ALIAS PART NUMBER

THIS DRAWING IS A CONTROLLED DOCUMENT. DIMENSIONS: mm. TOLERANCES UNLESS OTHERWISE SPECIFIED: 0 PLC ±, 1 PLC ±, 2 PLC ±, 3 PLC ±, 4 PLC ±, ANGLES ±, FINISH ±. MATERIAL: SEE TABLE. WEIGHT: -. CUSTOMER DRAWING. SCALE: 5:1. SHEET 1 OF 1. REV A.

TE Connectivity. 92-NA-CONNECTOR GASKETS MIL-DTL-5015. 00779. 92-NA-CONNECTOR-GASKETS.