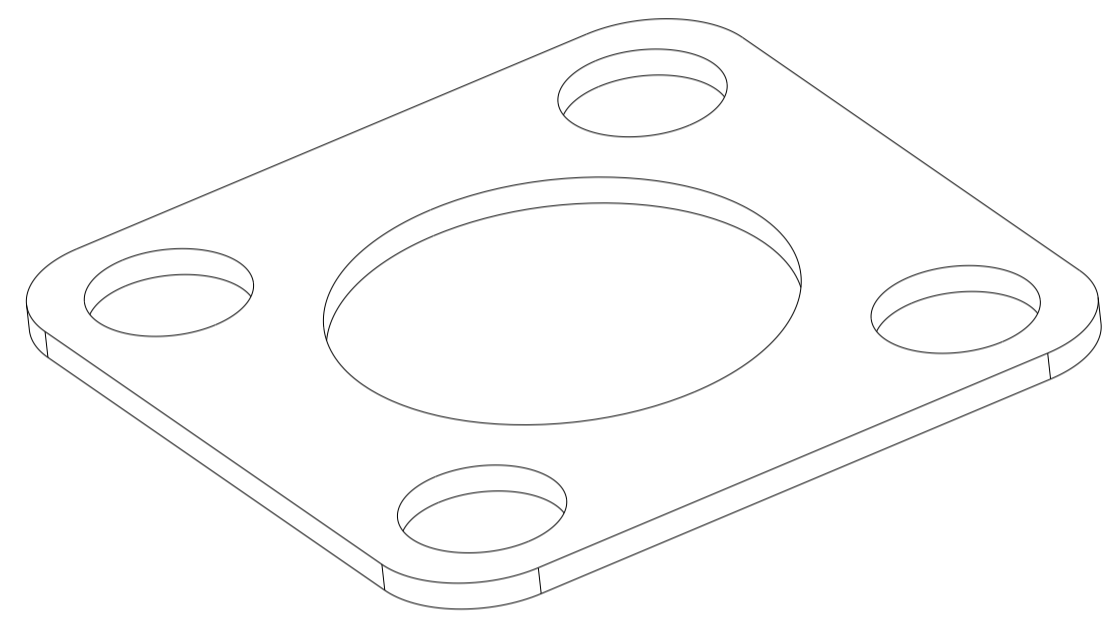
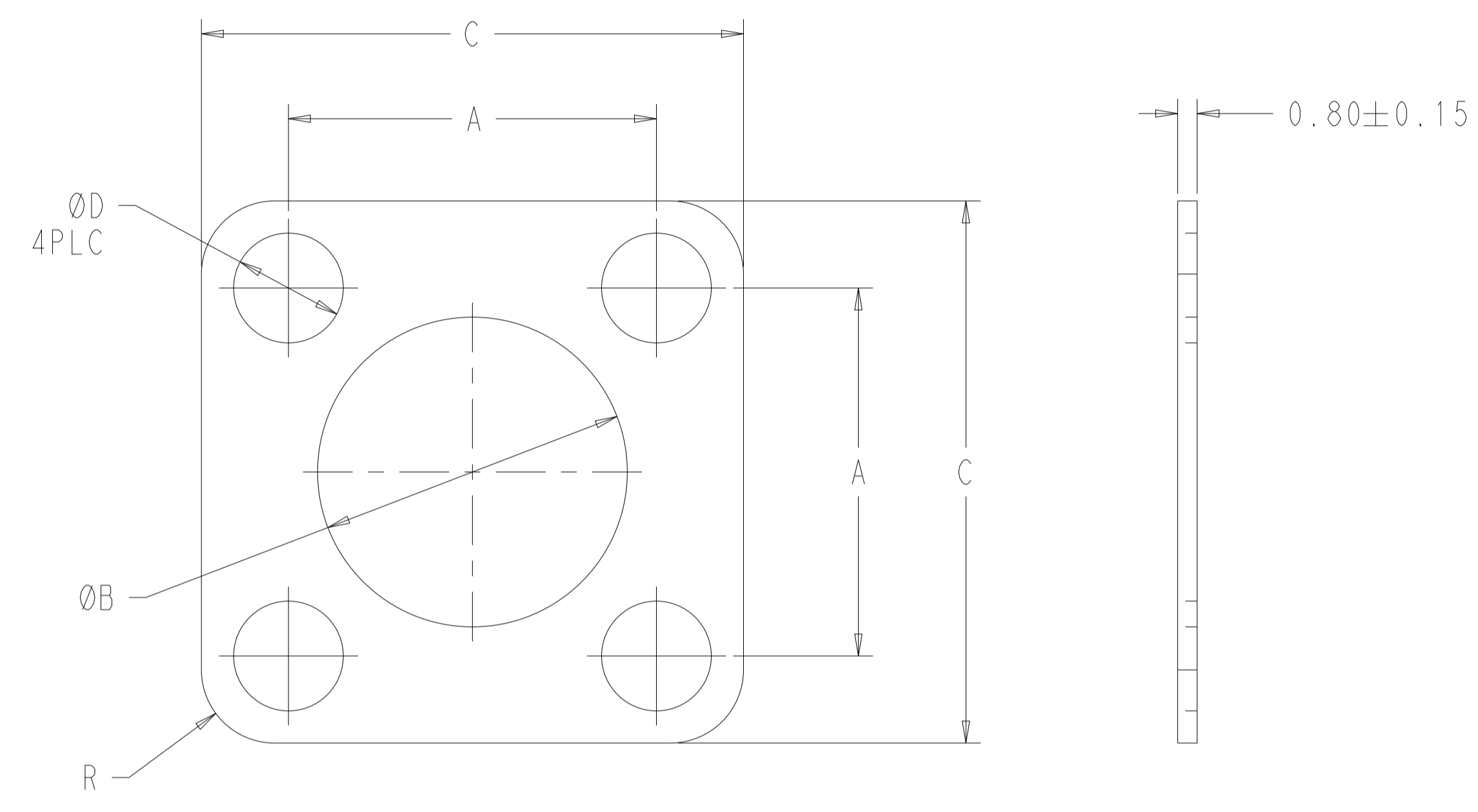


REVISIONS				
P	LTN	DESCRIPTION	DATE	OWN APVD
A		NEW DRAWING	27MAY2024	AN JM

### HOLE PROFILE (SERIES I, II & IV)

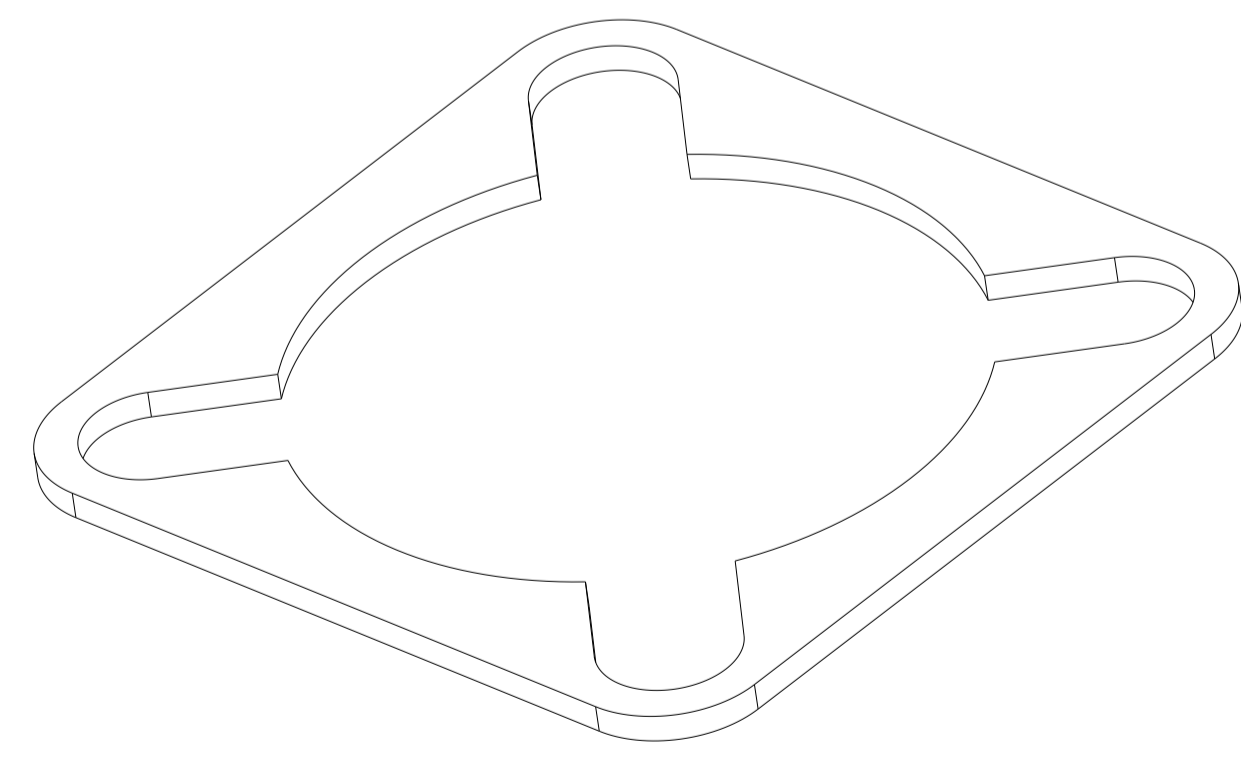
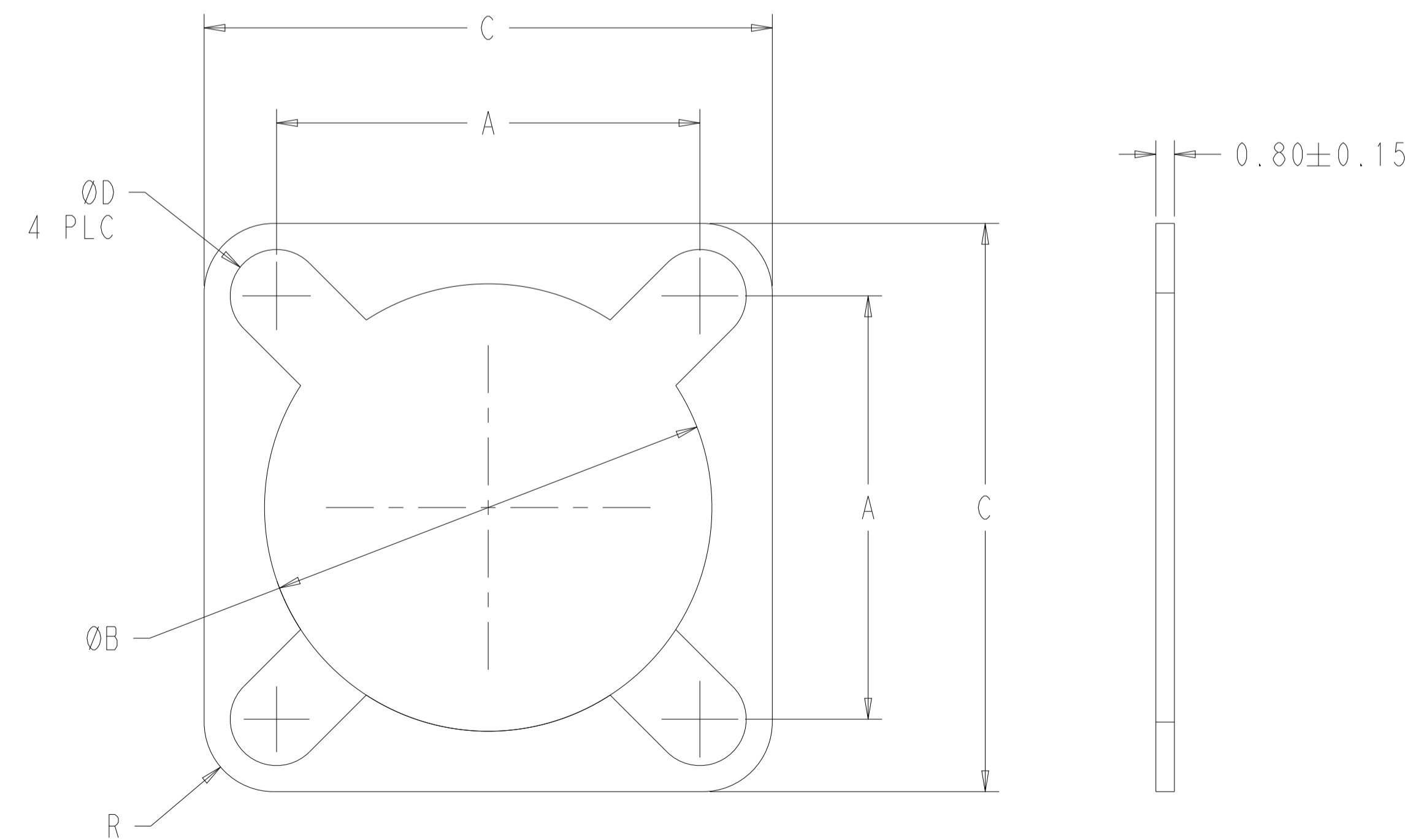


ISOMETRIC VIEW (NTS)

#### MATERIAL SPECIFIC DATA TABLE

TEST SPECIFICATION / MATERIAL CODE	SILICONE NICKEL ALUMINIUM (SNA)	FLUOROSILICONE NICKEL ALUMINIUM (FNA)
RECOMMENDED OPERATING TEMPERATURE RANGE (°C)	-55 to 125	-55 to 125
SPECIFIC GRAVITY ± 13%	2.000	2.300
SHORE A HARDNESS ± 7	70	70
MAXIMUM VOLUME RESISTIVITY (Ω.CM)	0.100	0.100

### SLOT PROFILE (SERIES III)



ISOMETRIC VIEW (NTS)

FNA	25	III	DARK GREEN	38.10	44.70	47.63	4.50	5.00	93-24038-1	2488683-1	93-24038-10	2488642-1
FNA	25	I & IV	DARK GREEN	38.10	44.70	47.63	4.50	5.00	93-24029-1	2488674-1	93-24029-10	2488633-1
FNA	23/24	I, II & IV	DARK GREEN	34.93	41.53	44.45	4.50	5.00	93-24028-1	2488673-1	93-24028-10	2488632-1
FNA	23	III	DARK GREEN	34.93	41.53	44.45	4.50	5.00	93-24037-1	2488682-1	93-24037-10	2488641-1
FNA	21/22	I, II & IV	DARK GREEN	31.75	38.35	41.28	4.00	4.00	93-24027-1	2488672-1	93-24027-10	2488631-1
FNA	21	III	DARK GREEN	31.75	38.35	41.28	4.00	4.00	93-24036-1	2488681-1	93-24036-10	2488640-1
FNA	19/20	I, II & IV	DARK GREEN	29.36	35.18	38.10	4.00	4.50	93-24026-1	2488671-1	93-24026-10	2488630-1
FNA	19	III	DARK GREEN	29.36	35.18	38.10	4.00	4.50	93-24035-1	2488680-1	93-24035-10	2488639-1
FNA	17/18	I, II & IV	DARK GREEN	26.97	32.25	34.32	4.00	3.50	93-24025-1	2488670-1	93-24025-10	2488629-1
FNA	17	III	DARK GREEN	26.97	32.25	34.32	4.00	3.50	93-24034-1	2488679-1	93-24034-10	2488638-1
FNA	15/16	I, II & IV	DARK GREEN	24.61	29.05	31.95	4.00	3.50	93-24024-1	2488669-1	93-24024-10	2488623-1
FNA	15	III	DARK GREEN	24.61	29.05	31.95	4.00	3.50	93-24033-1	2488678-1	93-24033-10	2488637-1
FNA	13/14	I, II & IV	DARK GREEN	23.01	25.78	29.29	4.00	3.50	93-24023-1	2488668-1	93-24023-10	2488615-1
FNA	13	III	DARK GREEN	23.01	25.78	29.29	4.00	3.50	93-24032-1	2488677-1	93-24032-10	2488636-1
FNA	11/12	II	DARK GREEN	20.62	22.48	26.92	4.00	3.50	93-24022-1	2488667-1	93-24022-10	2488614-1
FNA	11	III	DARK GREEN	20.62	22.48	26.92	4.00	3.50	93-24031-1	2488676-1	93-24031-10	2488635-1
FNA	9/10	I & II	DARK GREEN	18.26	19.30	24.51	4.00	3.00	93-24021-1	2488665-1	93-24021-10	2488613-1
FNA	9	III	DARK GREEN	18.26	19.30	24.51	4.00	3.00	93-24030-1	2488675-1	93-24030-10	2488634-1
FNA	8	II	DARK GREEN	15.09	16.25	21.34	4.00	1.50	93-24020-1	2488664-1	93-24020-10	2488612-1
SNA	25	III	DARK GREY	38.10	44.70	47.63	4.50	5.00	93-24019-1	2488663-1	93-24019-10	2488611-1
SNA	25	I & IV	DARK GREY	38.10	44.70	47.63	4.50	5.00	93-24010-1	2488653-1	93-24010-10	2488602-1
SNA	23/24	I, II & IV	DARK GREY	34.93	41.53	44.45	4.50	5.00	93-24009-1	2488652-1	93-24009-10	2488601-1
SNA	23	III	DARK GREY	34.93	41.53	44.45	4.50	5.00	93-24018-1	2488768-1	93-24018-10	2488610-1
SNA	21/22	I, II & IV	DARK GREY	31.75	38.35	41.28	4.00	4.00	93-24008-1	2488650-1	93-24008-10	2488599-1
SNA	21	III	DARK GREY	31.75	38.35	41.28	4.00	4.00	93-24017-1	2488660-1	93-24017-10	2488609-1
SNA	19/20	I, II & IV	DARK GREY	29.36	35.18	38.10	4.00	4.50	93-24007-1	2488649-1	93-24007-10	2488598-1
SNA	19	III	DARK GREY	29.36	35.18	38.10	4.00	4.50	93-24016-1	2488659-1	93-24016-10	2488608-1
SNA	17/18	I, II & IV	DARK GREY	26.97	32.25	34.32	4.00	3.50	93-24006-1	2488648-1	93-24006-10	2488597-1
SNA	17	III	DARK GREY	26.97	32.25	34.32	4.00	3.50	93-24015-1	2488658-1	93-24015-10	2488607-1
SNA	15/16	I, II & IV	DARK GREY	24.61	29.05	31.95	4.00	3.50	93-24005-1	2488647-1	93-24005-10	2488596-1
SNA	15	III	DARK GREY	24.61	29.05	31.95	4.00	3.50	93-24014-1	2488657-1	93-24014-10	2488606-1
SNA	13/14	I, II & IV	DARK GREY	23.01	25.78	29.29	4.00	3.50	93-24004-1	2488646-1	93-24004-10	2488595-1
SNA	13	III	DARK GREY	23.01	25.78	29.29	4.00	3.50	93-24013-1	2488656-1	93-24013-10	2488605-1
SNA	11/12	II	DARK GREY	20.62	22.48	26.92	4.00	3.50	93-24003-1	2488645-1	93-24003-10	2488594-1
SNA	11	III	DARK GREY	20.62	22.48	26.92	4.00	3.50	93-24012-1	2488655-1	93-24012-10	2488604-1
SNA	9/10	I & II	DARK GREY	18.26	19.30	24.51	4.00	3.00	93-24002-1	2488644-1	93-24002-10	2488593-1
SNA	9	III	DARK GREY	18.26	19.30	24.51	4.00	3.00	93-24011-1	2488654-1	93-24011-10	2488603-1
SNA	8	II	DARK GREY	15.09	16.25	21.34	4.00	1.50	93-24001-1	2488643-1	93-24001-10	2488592-1
MATERIAL	SHELL SIZE	SERIES	COLOUR	A±0.4	ØB±0.2	C±0.5	ØD±0.2	R±0.5	1PK QTY	1PK QTY	10PK QTY	10PK QTY
									ALIAS PART NUMBER	ALIAS PART NUMBER	ALIAS PART NUMBER	ALIAS PART NUMBER

THIS DRAWING IS A CONTROLLED DOCUMENT.

DIMENSIONS: mm  
 TOLERANCES UNLESS OTHERWISE SPECIFIED:  
 0 PLC ±  
 1 PLC ±  
 2 PLC ±  
 3 PLC ±  
 4 PLC ±  
 ANGLES ±  
 FINISH -

DWG: AYESHABANU  
 CHK: BASAVARAJA D A  
 APVD: MARTIN  
 PRODUCT SPEC: 108-120068  
 APPLICATION SPEC: 114-120007  
 WEIGHT: -  
 CUSTOMER DRAWING

DATE: 27MAY2024  
 NAME: 93-NA-CONNECTOR GASKETS MIL-DTL-38999  
 SIZE: A | 00779 | C=93-NA-CONNECTOR-GASKETS  
 SCALE: 5:1 | SHEET 1 OF 1 | REV A

TE Connectivity  
 93-NA-CONNECTOR GASKETS  
 MIL-DTL-38999