

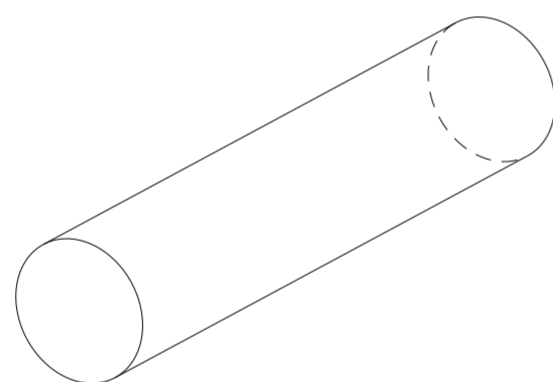
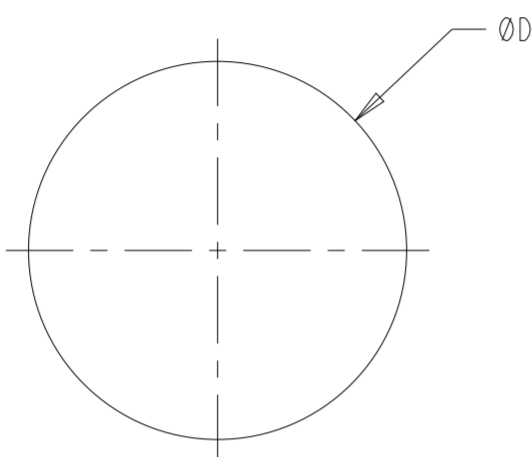
REVISIONS

P	LTR	DESCRIPTION	DATE	DWN	APVD
A		NEW DRAWING	07MAR2023	BDA	DH
A1		DRAWING CLARIFICATION	21JUL2023	BDA	DH
A2		SPECIFICATIONS NUMBER UPDATED	28SEP2023	BDA	DH

GENERAL TOLERANCES:
 0 - 2mm = ±0.1mm
 2.1mm - 5mm = ±0.15mm
 5.1mm - 9mm = ±0.2mm

MATERIAL SPECIFIC DATA TABLE

	SNA	FNA
RECOMMENDED OPERATING TEMPERATURE RANGE (°C)	-55 to 125	-55 to 125
SPECIFIC GRAVITY ± 13%	2.000	2.300
SHORE A HARDNESS	70±7	70±7
MAXIMUM VOLUME RESISTIVITY (Ω.CM)	0.1	0.1



ISOMETRIC VIEW (NTS)

DARK GREEN	2.0	FLUROSILICONE NICKEL ALUMINIUM	1201-FNA-0020	2452666-1	1201-FNA-0020-1	2452679-1
DARK GREEN	1.8	FLUROSILICONE NICKEL ALUMINIUM	1201-FNA-0018	2452665-1	1201-FNA-0018-1	2452678-1
DARK GREEN	1.6	FLUROSILICONE NICKEL ALUMINIUM	1201-FNA-0016	2452664-1	1201-FNA-0016-1	2452677-1
DARK GREEN	1.0	FLUROSILICONE NICKEL ALUMINIUM	1201-FNA-0010	2452663-1	1201-FNA-0010-1	2452676-1
DARK GREY	2.0	SILICONE NICKEL ALUMINIUM	1201-SNA-0020	2452643-1	1201-SNA-0020-1	2452656-1
DARK GREY	1.8	SILICONE NICKEL ALUMINIUM	1201-SNA-0018	2452642-1	1201-SNA-0018-1	2452655-1
DARK GREY	1.6	SILICONE NICKEL ALUMINIUM	1201-SNA-0016	2452641-1	1201-SNA-0016-1	2452654-1
DARK GREY	1.0	SILICONE NICKEL ALUMINIUM	1201-SNA-0010	2452640-1	1201-SNA-0010-1	2452653-1
COLOUR	ØD	MATERIAL	10 METER LENGTH ALIAS PART NUMBER	10 METER LENGTH PART NUMBER	1 METER LENGTH ALIAS PART NUMBER	1 METER LENGTH PART NUMBER

THIS DRAWING IS A CONTROLLED DOCUMENT.

DIMENSIONS: mm	TOLERANCES UNLESS OTHERWISE SPECIFIED: 0 PLC ± 1 PLC ± 2 PLC ± 3 PLC ± 4 PLC ± ANGLES ± FINISH -	DWN 07MAR2023 BASAVARAJA D A CHK 07MAR2023 B SELVAPANDIAN APVD 07MAR2023 D HEMMINGS	TE Connectivity NAME 1201-NA-ECE EXTRUDED CORD-SERIES PRODUCT SPEC 108-120068 APPLICATION SPEC 114-120005 WEIGHT - CUSTOMER DRAWING	SIZE A2 CAGE CODE 00779 DRAWING NO C-1201-NA-ECE-CORD RESTRICTED TO - SCALE 50:1 SHEET 1 OF 1 REV A2
----------------	---	--	--	--